

Easy to use & very flexible

Fast and easy results thanks to the various wizzards for roofs, dormers and roof lights. Design any of your jobs with precise takeoffs.

Alternatively you can create any design manually. If you can think it, you can design it with LigniKon.

Free Design & Editing in 3D

Welcome to the world of 3D-Construction: experience, how you can use LigniKon^{XL} to create Struts, diagonal Fly Rafters, staggered Purlins in just seconds. The unrestricted positioning of any constructive part as well as further editing like copying, turning or moving allows you to design any timber construction, you can think of. Roofs, Dormers, Extensions, Garden Pergolas, Kids Playhouses, Balconies, Decking's, Playgrounds and many more are now easily designed and built.

Design Rafter and Joists with or without fixed spacing directly in 3D. Benefit from multiple choices of joint techniques like mitre cuts, half lapped, bevel lapped, tenon and mortise, trimming, grooving rebating and many more. A editable steel profile library is as well integrated.

2D-Workshop Drawings & Bill of Quantities

All you need for a efficient workflow: 1Click output for all sawmill lists, rafter and jack rafter lists. Sort any list by size, material or you own preferences.

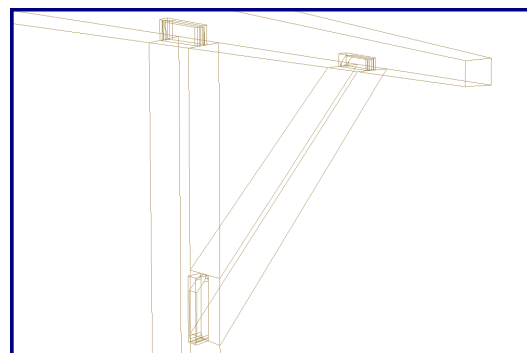
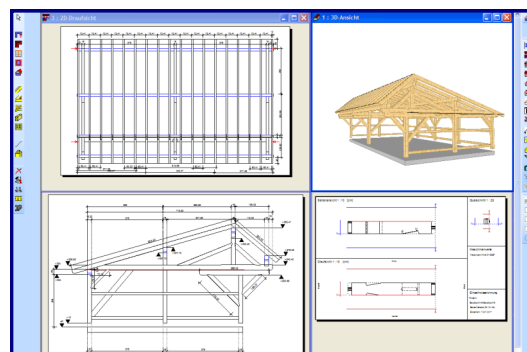
All necessary workshop drawings like elevation-, plan- and profile plans will have automatically dimensions and measurements. In case you need additional sizes, you always can edit manually.

Impress your clients with JPG or PDF printouts of your photo realistically animated 3D Projects

Easy to use & Future Proofed

Enjoy a new unrivalled workflow with LigniKon. Thanks to its intuitive interface, which is based on traditional design techniques, easy to follow wizzards for roofs, dormers, skylights and chimneys as other you can design any timber structure in just minutes. Predefine for new jobs your preferred timber sizes and other settings. Just a few of the many extras, LigniKon^{XL} will give you to be more efficient with every job.

LigniKon^{XL} guaranties you future proof and reliability to run under Windows® 7 and 8. (32 bit / 64 bit)



Save Time and Money with the most userfriendly Software Solution currently available !

Further Information's

Do you need further information's or would like a demonstration? Easy, just call us on: +49 (0) 8504 9229-0 or send us an email info@weto.de

All current information's on our website: www.weto.com

